

---

**150 mA Voltage Regulator (Wide Input Voltage Range)**

---

No. EA-100-171024

**OUTLINE**

The R1154x is a voltage regulator (VR) featuring high output voltage accuracy and ultra-low supply current. A peak current limit circuit, a short current limit circuit, and a thermal shutdown circuit are built in the R1154x. The regulator output voltage is fixed in the R1154xxxxB, while adjustable type is the R1154x001C. The Output voltage accuracy is  $\pm 2.0\%$ .

Since the packages for these ICs are DFN1616-6, SOT-23-5, and SOT-89-5, high density mounting of the ICs on boards is possible.

**FEATURES**

- Supply Current ..... Typ. 5.0  $\mu$ A
- Standby Current ..... Typ. 0.1  $\mu$ A
- Output Current ..... Min. 140 mA ( $V_{IN} = V_{OUT} + 2.0$  V, 2.5 V Output type)  
Min. 150 mA ( $V_{IN} = V_{OUT} + 2.0$  V, 3.0 V Output type)
- Input Voltage ..... Max. 24.0 V
- Wide Output Voltage Range ..... 2.5 V to 12.0 V (0.1 V step) (xxxB)  
Adjustable in the range of 2.5 V to  $V_{IN}$  or 24.0 V (001C)
- Output Voltage Accuracy .....  $\pm 2.0\%$
- Packages ..... DFN1616-6, SOT-23-5, SOT-89-5
- Built-in Peak Current Limit Circuit
- Built-in Short Current Limit Circuit
- Built-in Thermal Shutdown Circuit

**APPLICATIONS**

- Power source for home appliances such as refrigerators, rice cookers, Electronic water warmers, etc.
- Power source for car audio equipment, car navigation system, and ETC system.
- Power source for notebook PCs, digital TVs, cordless phones, and LAN system.
- Power source for copiers, printers, facsimiles, and scanners.

---

**R1154x**

---

No. EA-100-171024

**SELECTION GUIDE**

The output voltage can be selected at the user's request.

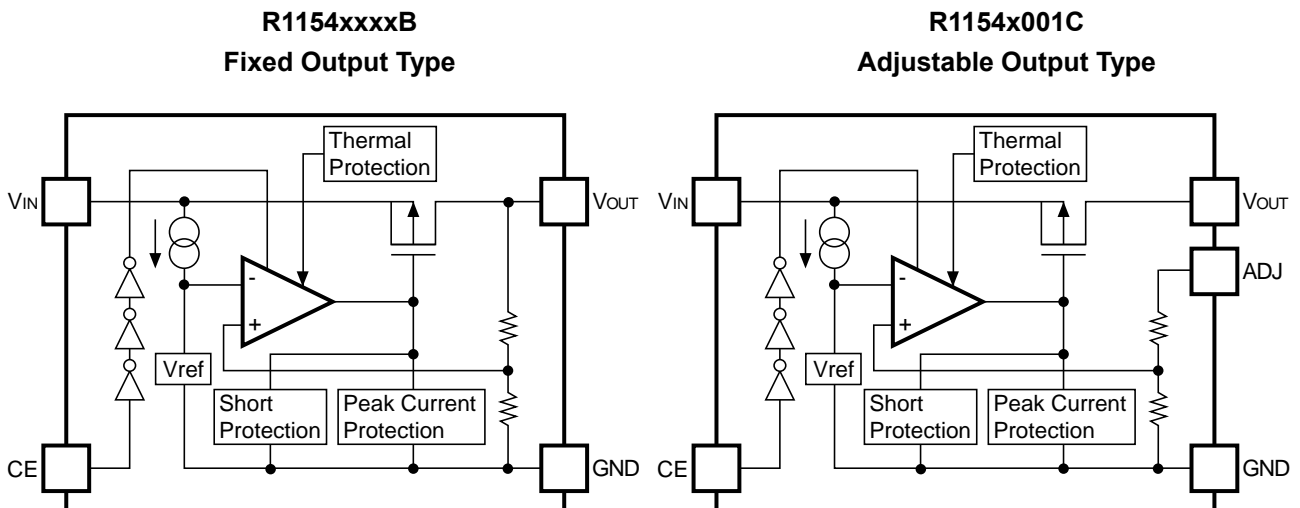
**Selection Guide**

Product Name	Package	Quantity per Reel	Pb Free	Halogen Free
R1154Lxxx*-TR	DFN1616-6	5,000 pcs	Yes	Yes
R1154Nxxx*-TR-FE	SOT-23-5	3,000 pcs	Yes	Yes
R1154Hxxx*-T1-FE	SOT-89-5	1,000 pcs	Yes	Yes

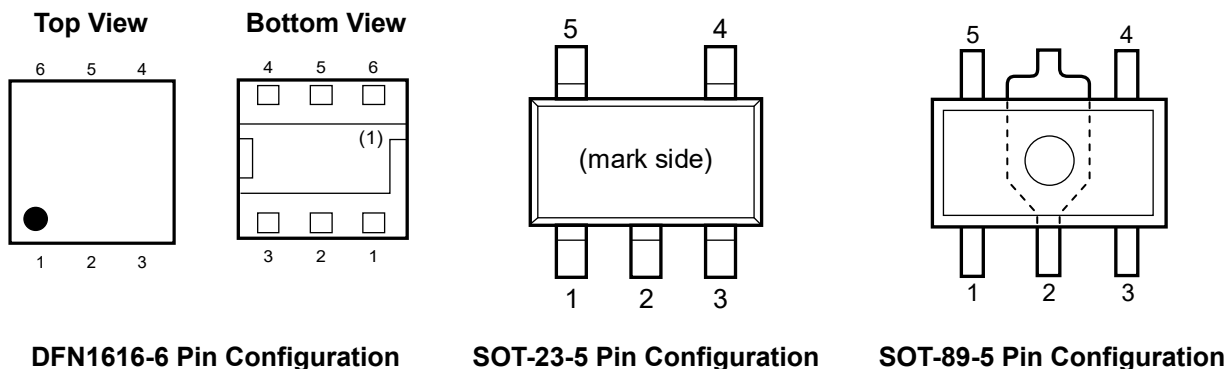
xxx : The output voltage can be designated in the range from 2.5 V (025) to 12.0 V (120) in 0.1 V step.  
If the output voltage includes the 3rd digit, indicate the digit of 0.01 V as follows.  
5.25 V: R1154x052x5  
The output voltage adjustable type is fixed at 001 (Reference voltage = 2.5 V)

\* : (B) Fixed Output Type  
(C) Adjustable Output Type

---

**BLOCK DIAGRAMS**

## PIN DESCRIPTIONS



DFN1616-6 Pin Configuration

SOT-23-5 Pin Configuration

SOT-89-5 Pin Configuration

### DFN1616-6 Pin Descriptions

Pin No	Symbol	Description	
1	VDD	Input Pin	
2	NC	No Connection	
3	VOUT	Voltage Regulator Output Pin	
4	CE	Chip Enable Pin	
5	NC	R1154LxxxB	No Connection
	ADJ	R1154L001C	Reference Voltage of Adjustable Output Pin
6	GND	Ground Pin	

### SOT-23-5 Pin Descriptions

Pin No	Symbol	Description	
1	VOUT	Voltage Regulator Output Pin	
2	GND	Ground Pin	
3	VDD	Input Pin	
4	NC	R1154NxxxB	No Connection
	ADJ	R1154N001C	Reference Voltage of Adjustable Output Pin
5	CE	Chip Enable Pin	

<sup>(1)</sup> The tab on the bottom of the package enhances thermal performance and is electrically connected to GND (substrate level). It is recommended that the tab be connected to the ground plane on the board, or otherwise be left floating.

---

**R1154x**

---

No. EA-100-171024

---

**SOT-89-5 Pin Descriptions**

Pin No	Symbol	Description	
1	VOUT	Voltage Regulator Output Pin	
2	GND	Ground Pin	
3	CE	Chip Enable Pin	
4	NC	R1154HxxxB	No Connection
	ADJ	R1154H001C	Reference Voltage of Adjustable Output Pin
5	VDD	Input Pin	

## ABSOLUTE MAXIMUM RATINGS

### Absolute Maximum Ratings

Symbol	Item		Rating	Unit	
$V_{IN}$	Input Voltage		26	V	
$V_{CE}$	Input Voltage (CE Input Pin)		-0.3 to $V_{IN} + 0.3$	V	
$V_{OUT}$	Output Voltage		-0.3 to $V_{IN} + 0.3$	V	
$V_{ADJ}$	Output Voltage (ADJ Pin)		-0.3 to $V_{IN} + 0.3$	V	
$I_{OUT}$	Output Current		250	mA	
$P_D$	Power Dissipation <sup>(1)</sup>	DFN1616-6	JEDEC STD. 51-7 Test Land Pattern	2400	mW
		SOT-23-5	JEDEC STD. 51-7 Test Land Pattern	660	mW
		SOT-89-5	JEDEC STD. 51-7 Test Land Pattern	2600	mW
$T_j$	Junction Temperature Range		-40 to 125	°C	
$T_{stg}$	Storage Temperature Range		-55 to 125	°C	

### ABSOLUTE MAXIMUM RATINGS

Electronic and mechanical stress momentarily exceeded absolute maximum ratings may cause the permanent damages and may degrade the lifetime and safety for both device and system using the device in the field. The functional operation at or over these absolute maximum ratings is not assured.

## RECOMMENDED OPERATING CONDITIONS

### Recommended Operating Conditions

Symbol	Item	Rating	Unit
$V_{IN}$	Input Voltage	Max. 24	V
$T_a$	Operating Temperature Range	-40 to 105	°C

### RECOMMENDED OPERATING CONDITIONS

All of electronic equipment should be designed that the mounted semiconductor devices operate within the recommended operating conditions. The semiconductor devices cannot operate normally over the recommended operating conditions, even if when they are used over such conditions by momentary electronic noise or surge. And the semiconductor devices may receive serious damage when they continue to operate over the recommended operating conditions.

<sup>(1)</sup> Refer to *POWER DISSIPATION* for detailed information.

---

**R1154x**

---

No. EA-100-171024

**ELECTRICAL CHARACTERISTICS****R1154xxxxB Electrical Characteristics**

(Ta = 25°C)

Symbol	Item	Conditions	Min.	Typ.	Max.	Unit
V <sub>OUT</sub>	Output Voltage	V <sub>IN</sub> = V <sub>SET</sub> + 2.0 V, I <sub>OUT</sub> = 20 mA	x0.98		x1.02	V
I <sub>OUT</sub>	Output Current	V <sub>IN</sub> - V <sub>SET</sub> = 2.0 V	Refer to the <i>Product-specific Electrical Characteristics</i>			
I <sub>SS</sub>	Supply Current	V <sub>IN</sub> = V <sub>CE</sub> , V <sub>IN</sub> - V <sub>SET</sub> = 2.0 V		5	10	μA
I <sub>standby</sub>	Standby Current	V <sub>IN</sub> = 24 V, V <sub>CE</sub> = 0 V		0.1	1.0	μA
$\frac{\Delta V_{OUT}}{\Delta I_{OUT}}$	Load regulation	V <sub>IN</sub> - V <sub>SET</sub> = 2.0 V, 1 mA ≤ I <sub>OUT</sub> ≤ 40 mA	Refer to the <i>Product-specific Electrical Characteristics</i>			
$\frac{\Delta V_{OUT}}{\Delta V_{IN}}$	Line regulation	I <sub>OUT</sub> = 20 mA V <sub>SET</sub> + 1 V ≤ V <sub>IN</sub> ≤ 24 V		0.05	0.20	%/V
V <sub>DIF</sub>	Dropout Voltage	I <sub>OUT</sub> = 20 mA	Refer to the <i>Product-specific Electrical Characteristics</i>			
I <sub>SC</sub>	Short Current Limit	V <sub>OUT</sub> = 0 V		45		mA
V <sub>CEH</sub>	CE "H" Input Voltage		2.1		V <sub>IN</sub>	V
V <sub>CEL</sub>	CE "L" Input Voltage		0		0.3	V
T <sub>SD</sub>	Thermal Shutdown Temperature	Junction Temperature		150		°C
T <sub>SR</sub>	Thermal Shutdown Released Temperature	Junction Temperature		125		°C

## Product-specific Electrical Characteristics

Product Name	V <sub>OUT</sub>			I <sub>OUT</sub> Min.	V <sub>OUT</sub> /I <sub>OUT</sub>		V <sub>DIF</sub>	
	Min.	Typ.	Max.		Typ.	Max.	Typ.	Max.
R1154x025x	2.450	2.500	2.550	140	20	50	0.20	0.40
R1154x026x	2.548	2.600	2.652					
R1154x027x	2.646	2.700	2.754					
R1154x028x	2.744	2.800	2.856					
R1154x029x	2.842	2.900	2.958					
R1154x030x	2.940	3.000	3.060					
R1154x031x	3.038	3.100	3.162					
R1154x032x	3.136	3.200	3.264					
R1154x033x	3.234	3.300	3.366					
R1154x034x	3.332	3.400	3.468					
R1154x035x	3.430	3.500	3.570					
R1154x036x	3.528	3.600	3.672					
R1154x037x	3.626	3.700	3.774					
R1154x038x	3.724	3.800	3.876					
R1154x039x	3.822	3.900	3.978	150	30	75	0.20	0.40
R1154x040x	3.920	4.000	4.080					
R1154x041x	4.018	4.100	4.182					
R1154x042x	4.116	4.200	4.284					
R1154x043x	4.214	4.300	4.386					
R1154x044x	4.312	4.400	4.488					
R1154x045x	4.410	4.500	4.590					
R1154x046x	4.508	4.600	4.692					
R1154x047x	4.606	4.700	4.794					
R1154x048x	4.704	4.800	4.896					
R1154x049x	4.802	4.900	4.998					
R1154x050x	4.900	5.000	5.100					
R1154x051x	4.998	5.100	5.202					
R1154x052x	5.096	5.200	5.304					
R1154x052x5	5.145	5.250	5.355					
R1154x053x	5.194	5.300	5.406					
R1154x054x	5.292	5.400	5.508					
R1154x055x	5.390	5.500	5.610					
R1154x056x	5.488	5.600	5.712					
R1154x057x	5.586	5.700	5.814					
R1154x058x	5.684	5.800	5.916					
R1154x059x	5.782	5.900	6.018					
R1154x060x	5.880	6.000	6.120					
R1154x061x	5.978	6.100	6.222					
R1154x062x	6.076	6.200	6.324					
R1154x063x	6.174	6.300	6.426					
R1154x064x	6.272	6.400	6.528					
R1154x065x	6.370	6.500	6.630					
R1154x066x	6.468	6.600	6.732					
R1154x067x	6.566	6.700	6.834					
R1154x068x	6.664	6.800	6.936					
R1154x069x	6.762	6.900	7.038					
R1154x070x	6.860	7.000	7.140					
R1154x071x	6.958	7.100	7.242					
R1154x072x	7.056	7.200	7.344					
R1154x073x	7.154	7.300	7.446					
R1154x074x	7.252	7.400	7.548					
R1154x075x	7.350	7.500	7.650					
					40	115		

**R1154x**

No. EA-100-171024

**Product-specific Electrical Characteristics**

Product Name	V <sub>OUT</sub>			I <sub>OUT</sub> Min.	V <sub>OUT</sub> /I <sub>OUT</sub>		V <sub>DIF</sub>	
	Min.	Typ.	Max.		Typ.	Max.	Typ.	Max.
R1154x076x	7.448	7.600	7.752	150	40	115	0.25	0.50
R1154x077x	7.546	7.700	7.854					
R1154x078x	7.644	7.800	7.956					
R1154x079x	7.742	7.900	8.058					
R1154x080x	7.840	8.000	8.160					
R1154x081x	7.938	8.100	8.262					
R1154x082x	8.036	8.200	8.364					
R1154x083x	8.134	8.300	8.466					
R1154x084x	8.232	8.400	8.568					
R1154x085x	8.330	8.500	8.670					
R1154x086x	8.428	8.600	8.772					
R1154x087x	8.526	8.700	8.874					
R1154x088x	8.624	8.800	8.976					
R1154x089x	8.722	8.900	9.078					
R1154x090x	8.820	9.000	9.180					
R1154x091x	8.918	9.100	9.282					
R1154x092x	9.016	9.200	9.384					
R1154x093x	9.114	9.300	9.486					
R1154x094x	9.212	9.400	9.588					
R1154x095x	9.310	9.500	9.690					
R1154x096x	9.408	9.600	9.792					
R1154x097x	9.506	9.700	9.894					
R1154x098x	9.604	9.800	9.996					
R1154x099x	9.702	9.900	10.098					
R1154x100x	9.800	10.000	10.200					
R1154x101x	9.898	10.100	10.302					
R1154x102x	9.996	10.200	10.404					
R1154x103x	10.094	10.300	10.506					
R1154x104x	10.192	10.400	10.608					
R1154x105x	10.290	10.500	10.710					
R1154x106x	10.388	10.600	10.812					
R1154x107x	10.486	10.700	10.914					
R1154x108x	10.584	10.800	11.016					
R1154x109x	10.682	10.900	11.118					
R1154x110x	10.780	11.000	11.220					
R1154x111x	10.878	11.100	11.322					
R1154x112x	10.976	11.200	11.424					
R1154x113x	11.074	11.300	11.526					
R1154x114x	11.172	11.400	11.628					
R1154x115x	11.270	11.500	11.730					
R1154x116x	11.368	11.600	11.832					
R1154x117x	11.466	11.700	11.934					
R1154x118x	11.564	11.800	12.036					
R1154x119x	11.662	11.900	12.138					
R1154x120x	11.760	12.000	12.240					
							0.30	0.55



## R1154x001C Electrical Characteristics

(Ta = 25°C)

Symbol	Item	Conditions	Min.	Typ.	Max.	Unit
V <sub>OUT</sub>	Output Voltage	V <sub>IN</sub> = V <sub>SET</sub> + 2.0 V, I <sub>OUT</sub> = 20 mA	2.45	2.50	2.55	V
I <sub>OUT</sub>	Output Current	V <sub>IN</sub> = V <sub>SET</sub> + 2.0 V,	140			mA
I <sub>SS</sub>	Supply Current	V <sub>IN</sub> = V <sub>SET</sub> + 2.0 V, V <sub>CE</sub> = V <sub>IN</sub>		5	10	μA
I <sub>standby</sub>	Standby Current	V <sub>IN</sub> = 24 V, V <sub>CE</sub> = 0 V		0.1	1.0	μA
ΔV <sub>OUT</sub> / ΔI <sub>OUT</sub>	Load regulation	V <sub>IN</sub> = V <sub>SET</sub> + 2.0 V, 1 mA ≤ I <sub>OUT</sub> ≤ 40 mA		20	50	mV
ΔV <sub>OUT</sub> / ΔV <sub>IN</sub>	Line regulation	V <sub>SET</sub> + 1 V ≤ V <sub>IN</sub> ≤ 24 V, I <sub>OUT</sub> = 20 mA		0.05	0.20	%/V
V <sub>DIF</sub>	Dropout Voltage	I <sub>OUT</sub> = 20 mA		0.20	0.40	V
I <sub>SC</sub>	Short Current Limit	V <sub>OUT</sub> = 0 V		45		mA
V <sub>CEH</sub>	CE "H" Input Voltage		2.1		V <sub>IN</sub>	V
V <sub>CEL</sub>	CE "L" Input Voltage		0		0.3	V
T <sub>TSD</sub>	Thermal Shutdown Temperature	Junction Temperature		150		°C
T <sub>TSR</sub>	Thermal Shutdown Released Temperature	Junction Temperature		125		°C

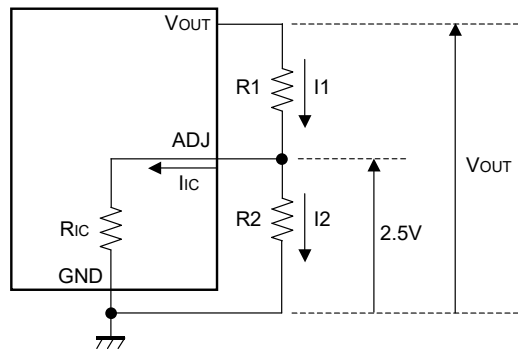
The above specifications measured at the condition of V<sub>OUT</sub> = V<sub>ADJ</sub>.

## THEORY OF OPERATION

### Thermal Shutdown

Thermal shutdown function is included in the R1154x, if the junction temperature is equal or more than +150°C (Typ.), the operation of regulator would stop. After that, when the junction temperature is equal or less than +125°C (Typ.), the operation of regulator would restart. Unless the cause of rising temperature would remove, the regulator repeats on and off, and output waveform would be like consecutive pulses.

### Notes on Output Voltage Setting of R1154x001C



**Figure 1. Adjustable Regulator (R1154x001C)**

The Output Voltage of Regulator in R1154xxxxC may be adjustable for any output voltage between its 2.5 V reference and its  $V_{DD}$  setting level. An external pair of resistors is required, as shown in Figure 1. The complete equation for the output voltage is described step by step as follows.

$$I_1 = I_{IC} + I_2 \dots\dots\dots (1)$$

$$I_2 = 2.5/R_2 \dots\dots\dots (2)$$

Thus,

$$I_1 = I_{IC} + 2.5/R_2 \dots\dots\dots (3)$$

Therefore,

$$V_{OUT} = 2.5 + R_1 \times I_1 \dots\dots\dots (4)$$

Put Equation (3) into Equation (4), then

$$\begin{aligned} V_{OUT} &= 2.5 + R_1 \times (I_{IC} + 2.5/R_2) \\ &= 2.5 \times (1 + R_1/R_2) + R_1 \times I_{IC} \dots\dots\dots (5) \end{aligned}$$

In 2nd term, or  $R_1 \times I_{IC}$  will produce an error in  $V_{OUT}$ .

In Equation (5),

$$I_{IC} = 2.5/R_{IC} \dots\dots\dots (6)$$

$$\begin{aligned} R_1 \times I_{IC} &= R_1 \times 2.5/R_{IC} \\ &= 2.5 \times R_1/R_{IC} \dots\dots\dots (7) \end{aligned}$$

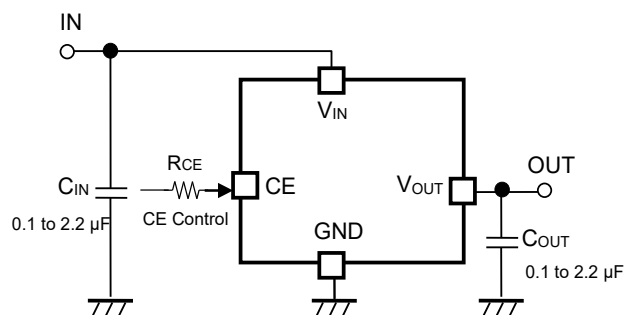
For better accuracy, choosing  $R_1 \ll R_{IC}$  reduces this error.

$R_{IC}$  of the R1154x001C is approximately Typ. 17 M $\Omega$  ( $T_a = 25^\circ\text{C}$ , guaranteed by design).

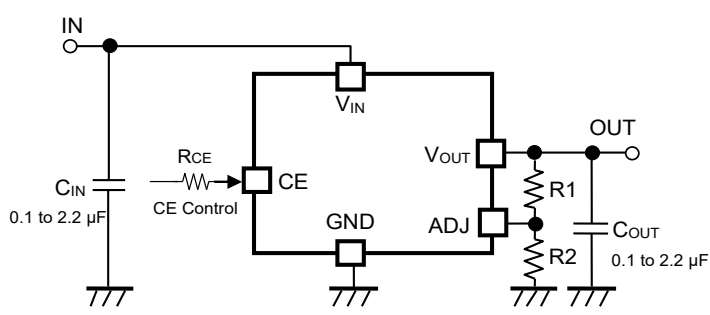
$R_{IC}$  could be affected by the temperature, therefore evaluate the circuit taking the actual conditions of use into account when deciding the resistance values for  $R_1$  and  $R_2$ .

## APPLICATION INFORMATION

### Typical Application



Fixed Output Voltage Type



Adjustable Type

## TECHNICAL NOTES

### Notes on Selecting Components

#### Capacitor $C_{IN}$ and $C_{OUT}$

Phase Compensation of the R1154x has been made internally for stable operation even though the load current would vary. Therefore, without the capacitors,  $C_{IN}$  and  $C_{OUT}$ , the output voltage is regulated, however, for more stable operation, use capacitors as  $C_{IN}$  and  $C_{OUT}$ . Especially, if the input line is long and impedance is high,  $C_{IN}$  is necessary, moreover, if you use  $C_{OUT}$ , transient response will be improved. Recommended value is in the range from 0.1  $\mu\text{F}$  to 2.2  $\mu\text{F}$ . Wiring should be made as short as possible.

Connect the capacitor,  $C_{IN}$  between  $V_{DD}$  pin and GND pin and  $C_{OUT}$  between  $V_{OUT}$  and GND as close as possible.

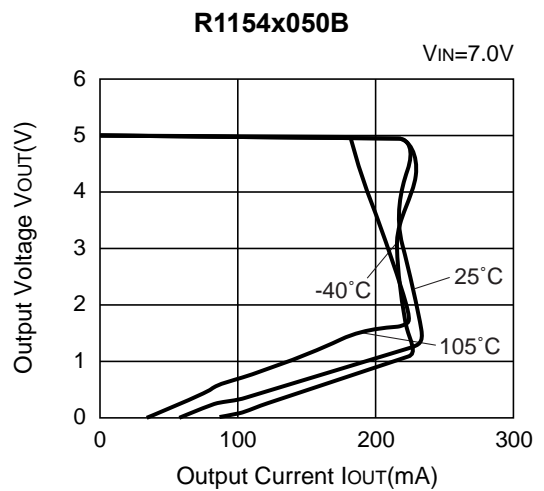
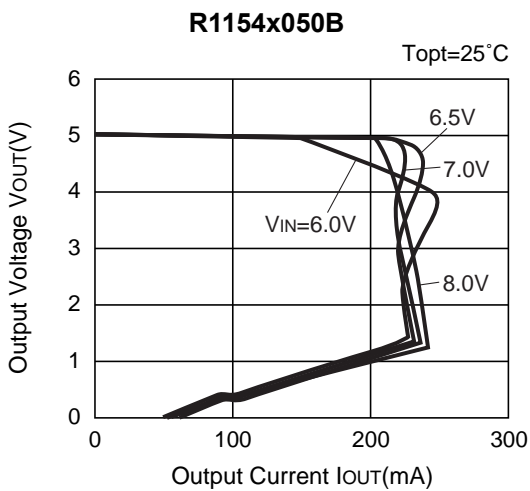
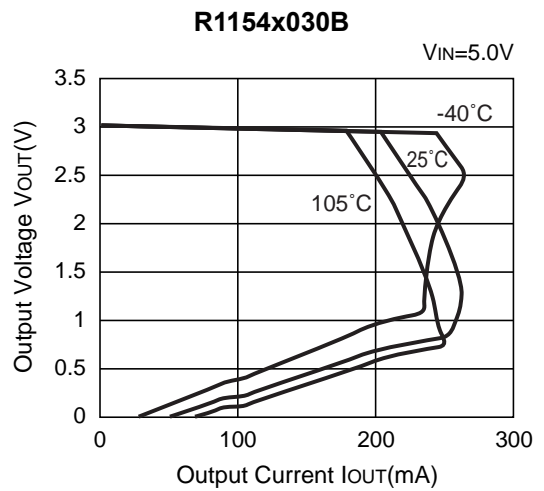
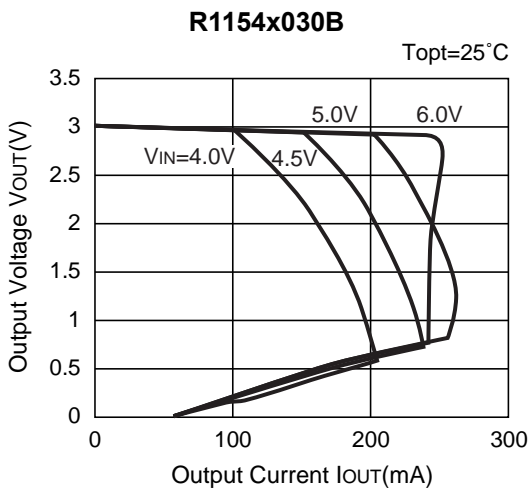
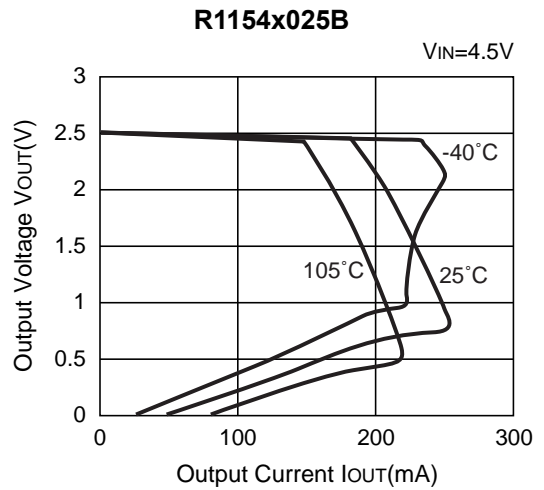
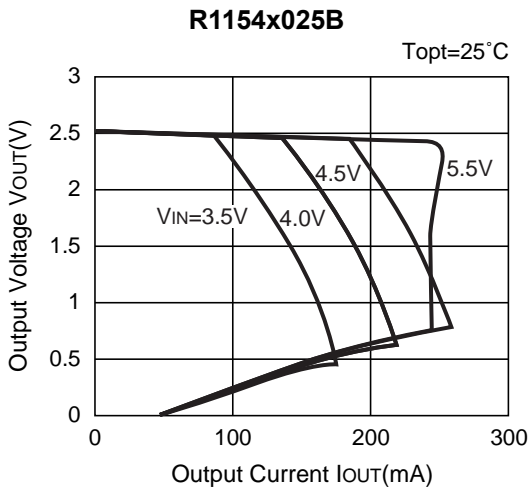
#### Chip Enable Input

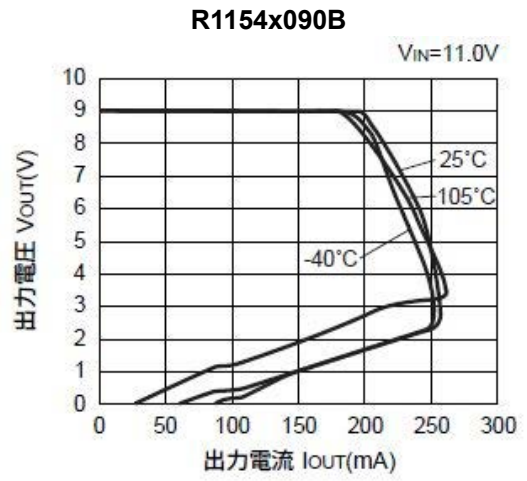
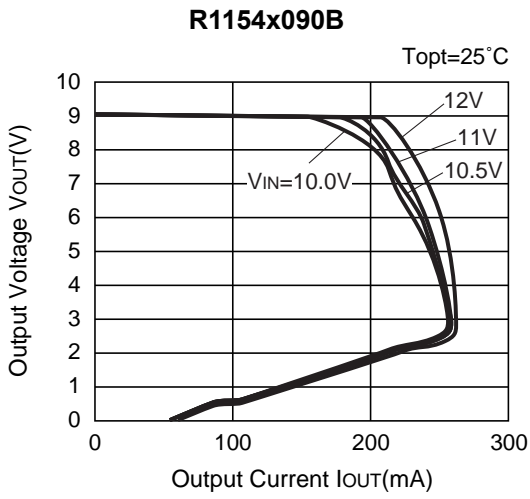
Do not make voltage level of chip enable pin keep floating level, or in between  $V_{IH}$  and  $V_{IL}$ . Unless otherwise, Output voltage would be unstable or indefinite, or unexpected current would flow internally.

## TYPICAL CHARACTERISTICS

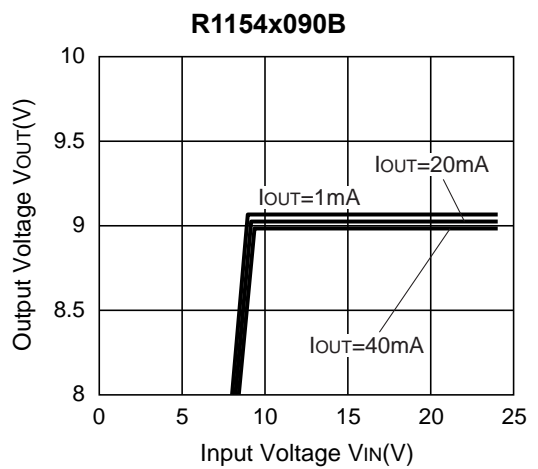
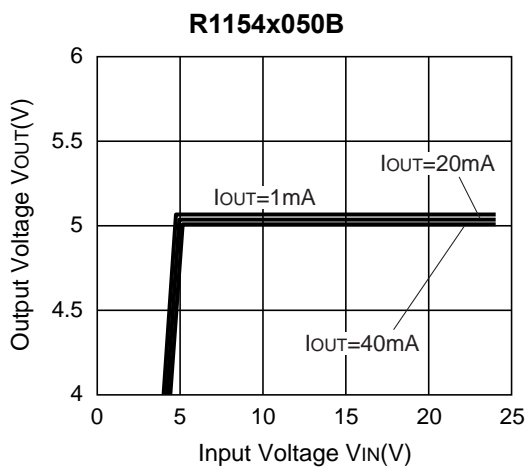
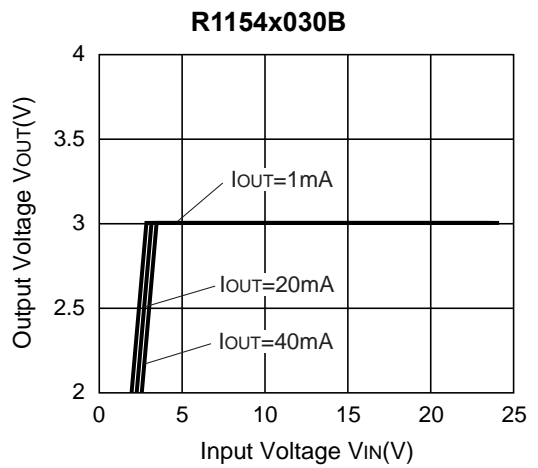
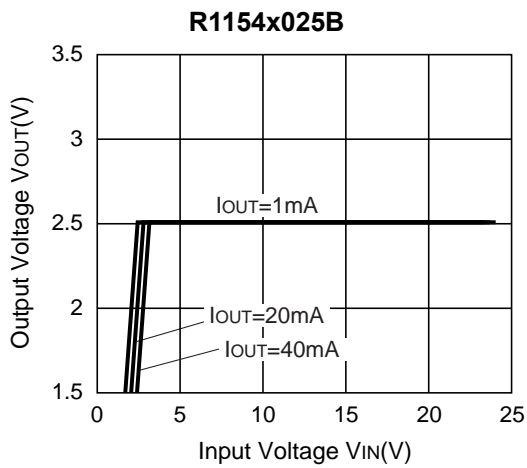
Note: Typical Characteristics are intended to be used as reference data; they are not guaranteed.

### 1) Output Voltage vs. Output Current





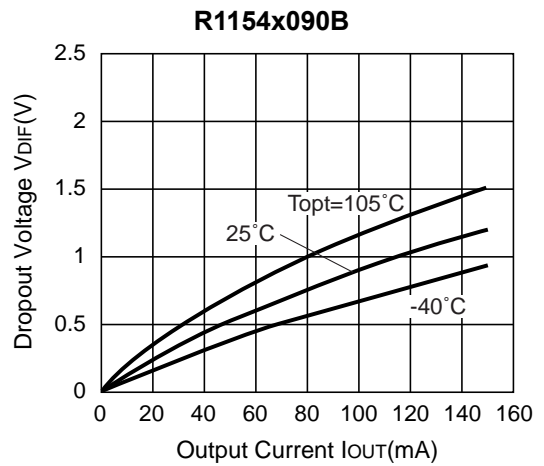
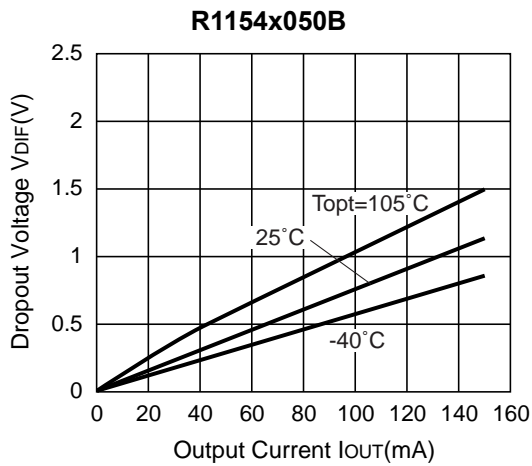
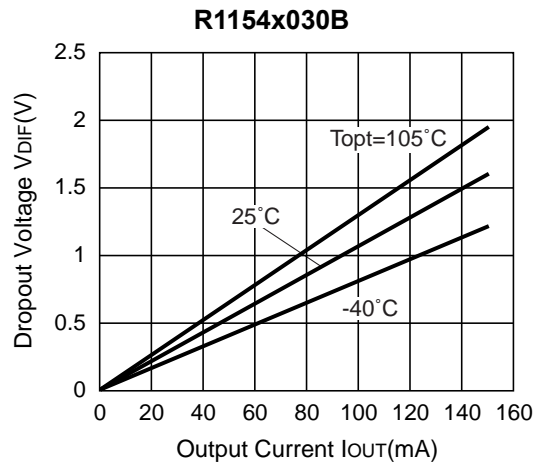
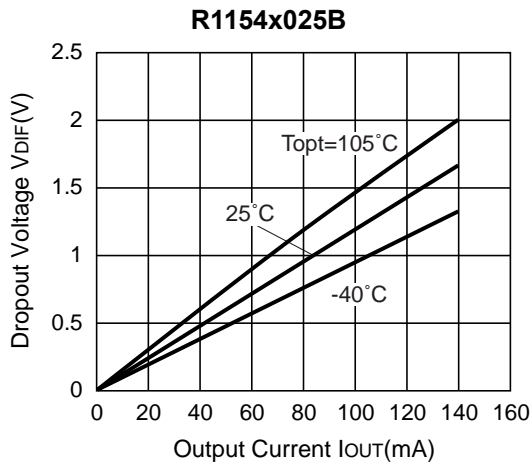
2) Input Voltage vs. Output Voltage (Ta = 25°C)



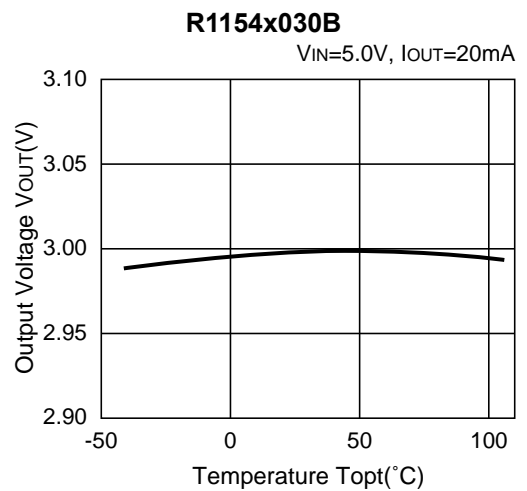
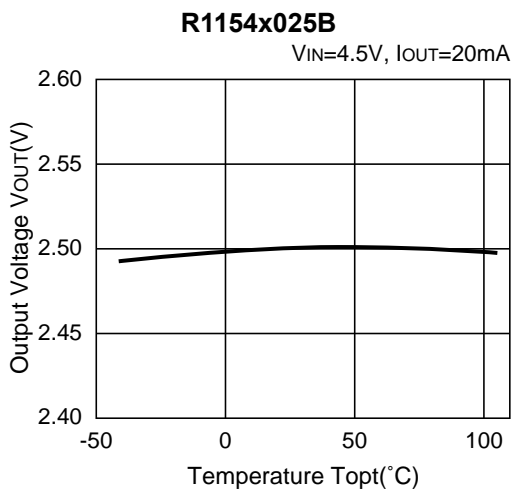
# R1154x

No. EA-100-171024

## 3) Dropout Voltage vs. Output Current

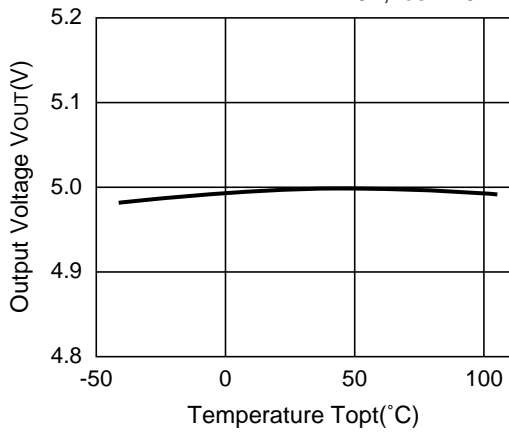


## 4) Output Voltage vs. Temperature



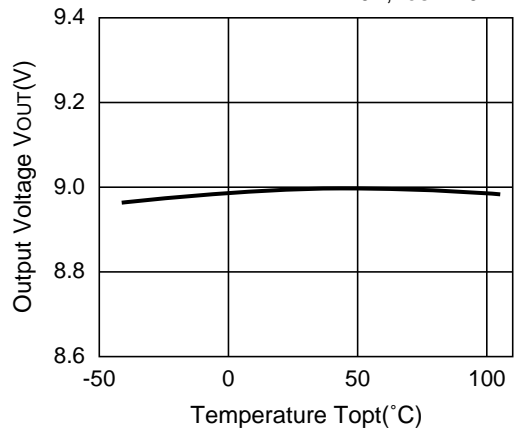
**R1154x050B**

$V_{IN}=7.0V, I_{OUT}=20mA$



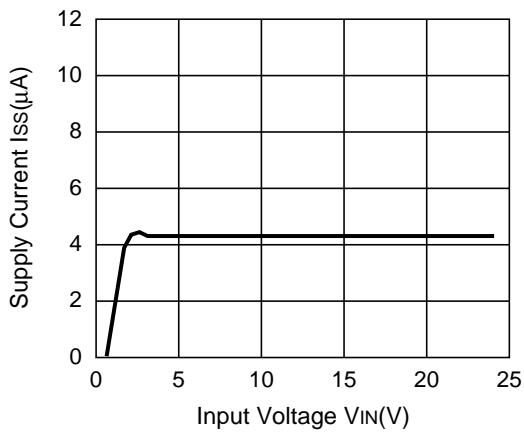
**R1154x090B**

$V_{IN}=11.0V, I_{OUT}=20mA$

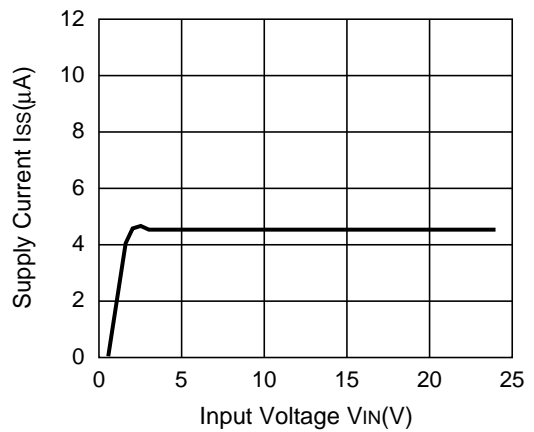


**5) Supply Current vs. Input Voltage ( $T_a = 25^\circ C$ )**

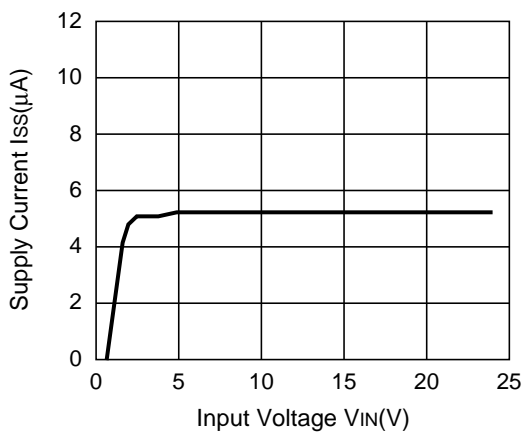
**R1154x025B**



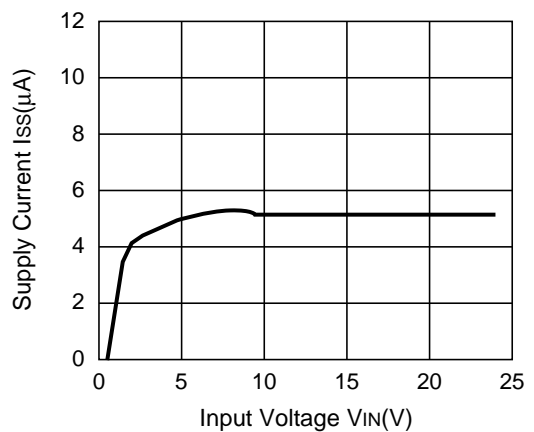
**R1154x030B**



**R1154x050B**



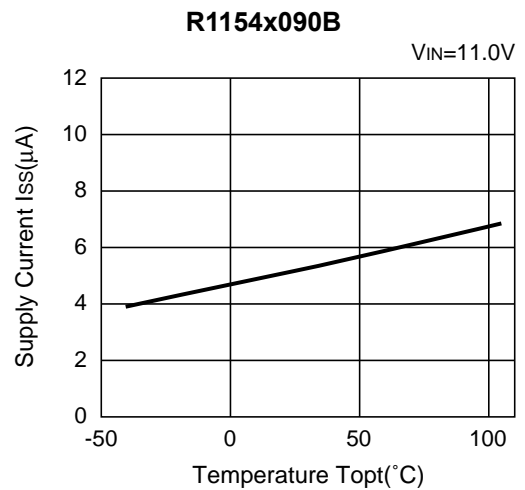
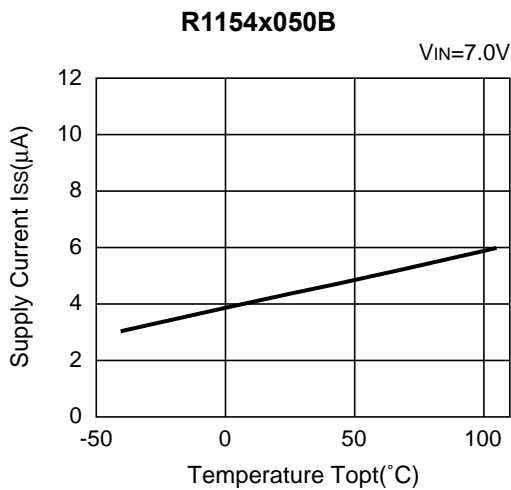
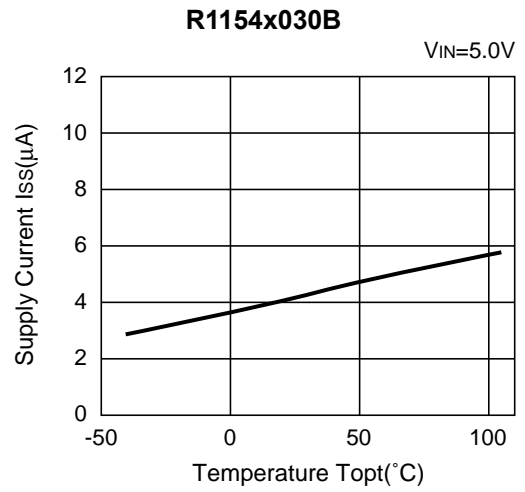
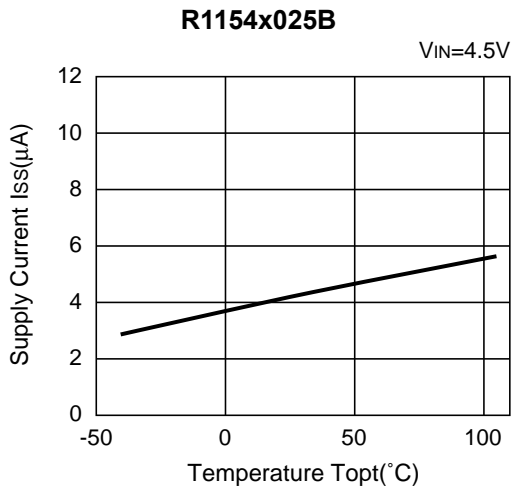
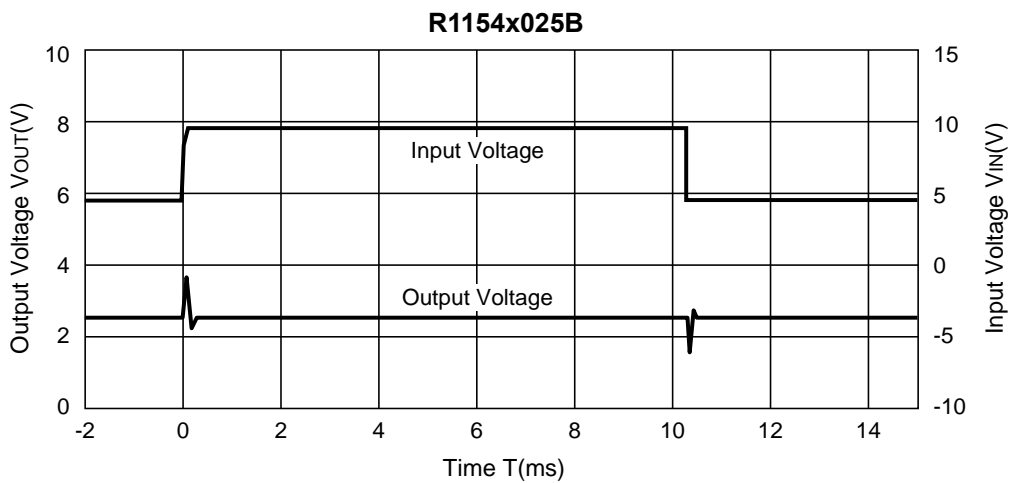
**R1154x090B**



---

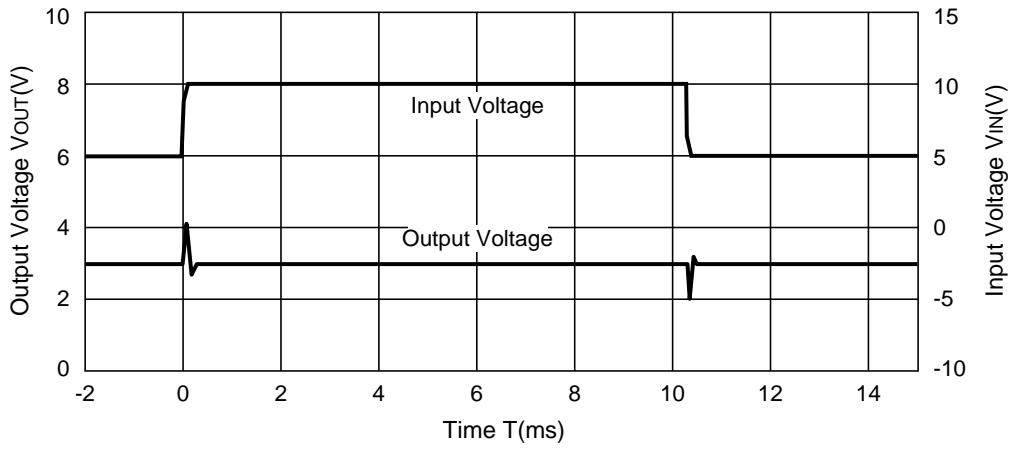
**R1154x**No. EA-100-171024

---

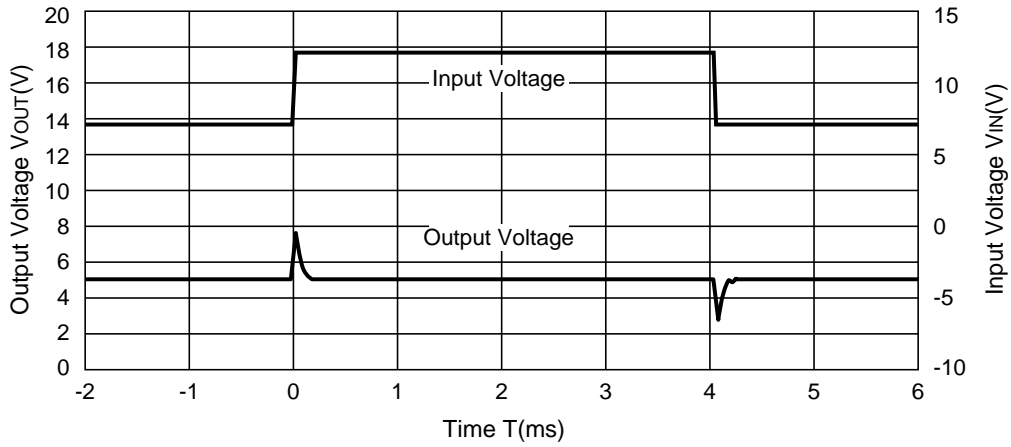
**6) Supply Current vs. Temperature****7) Input Transient Response ( $I_{OUT} = 20\text{ mA}$ ,  $C_{OUT} = 0.1\text{ }\mu\text{F}$ ,  $T_a = 25^\circ\text{C}$ )**



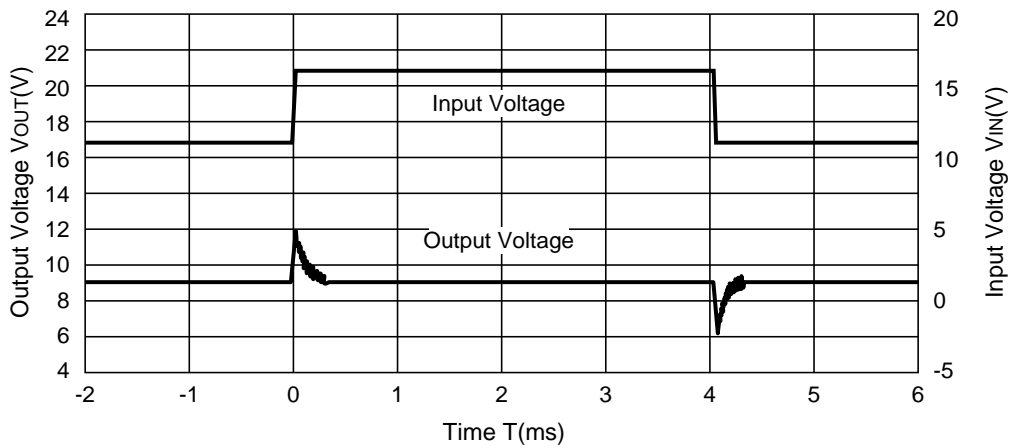
R1154x030B



R1154x050B

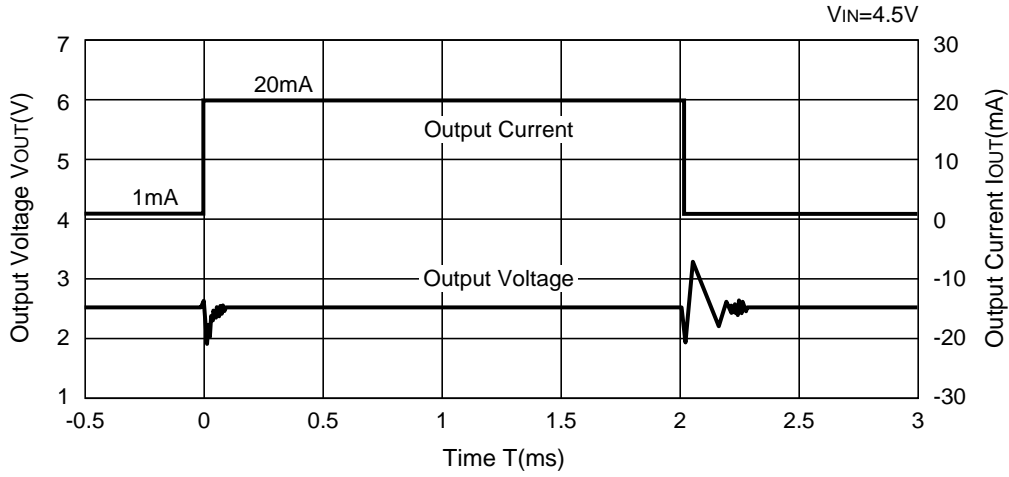


R1154x090B

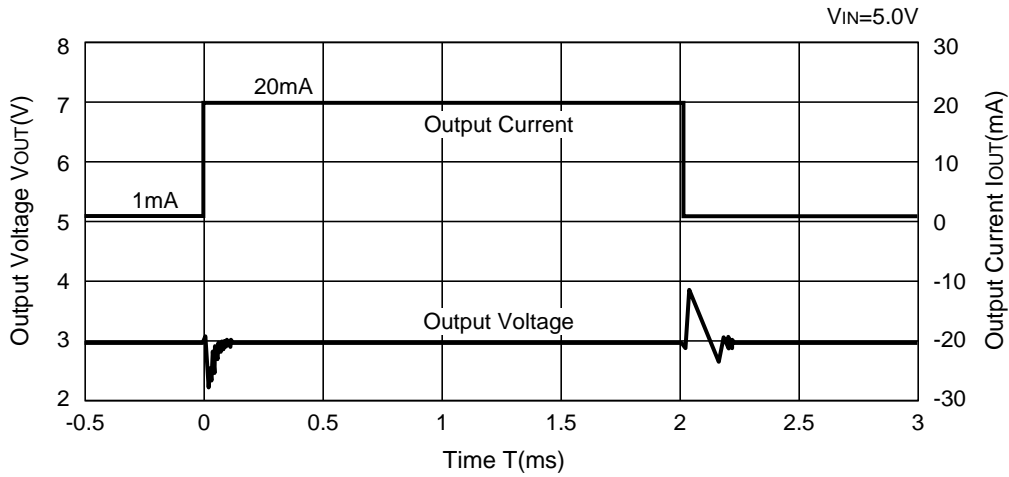


8) Load Transient Response ( $C_{OUT} = 0.1 \mu F$ ,  $T_a = 25^\circ C$ )

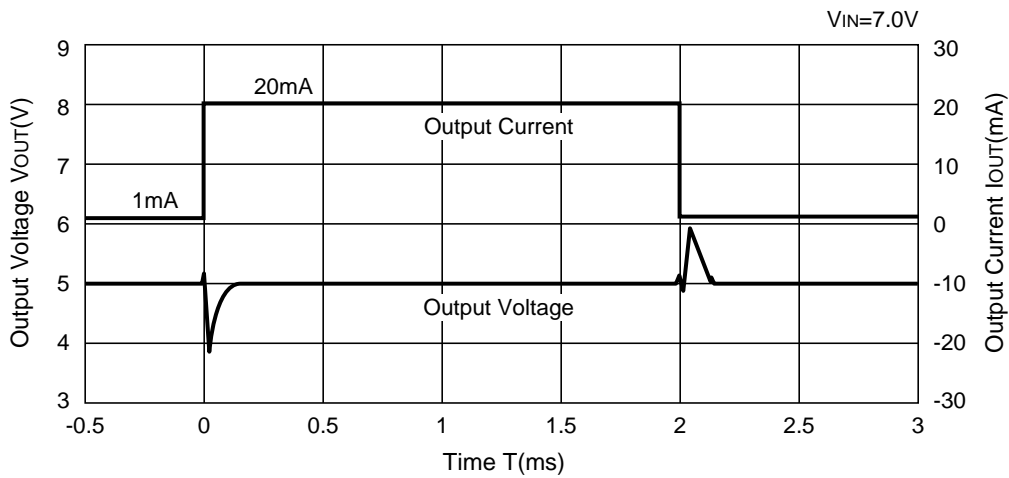
R1154x025B



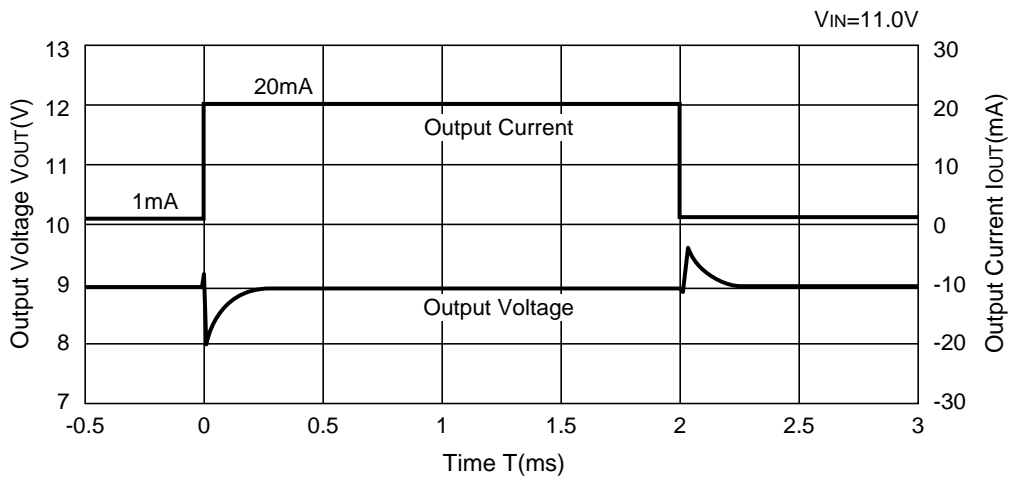
R1154x030B



R1154x050B

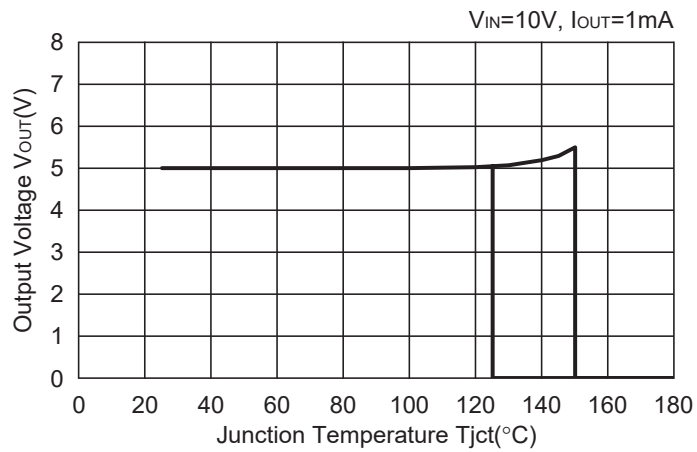


R1154x090B



9) Thermal Shutdown Characteristics

R1154x050B



The power dissipation of the package is dependent on PCB material, layout, and environmental conditions. The following measurement conditions are based on JEDEC STD. 51-7.

**Measurement Conditions**

Item	Measurement Conditions
Environment	Mounting on Board (Wind Velocity = 0 m/s)
Board Material	Glass Cloth Epoxy Plastic (Four-Layer Board)
Board Dimensions	76.2 mm × 114.3 mm × 0.8 mm
Copper Ratio	Outer Layer (First Layer): Less than 95% of 50 mm Square Inner Layers (Second and Third Layers): Approx. 100% of 50 mm Square Outer Layer (Fourth Layer): Approx. 100% of 50 mm Square
Through-holes	φ 0.2 mm × 15 pcs

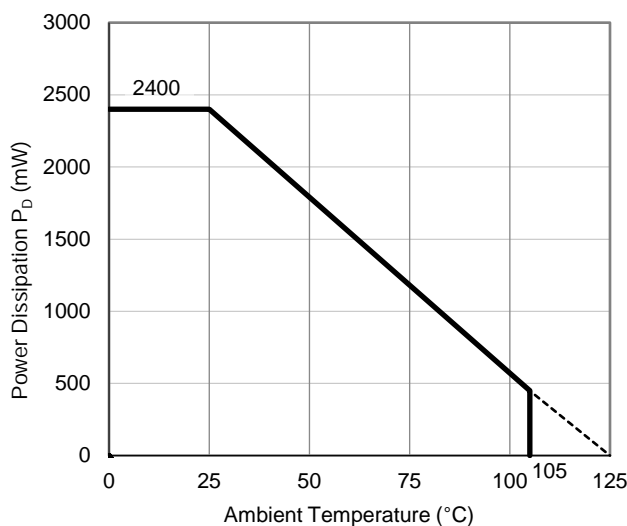
**Measurement Result**

(Ta = 25°C, Tjmax = 125°C)

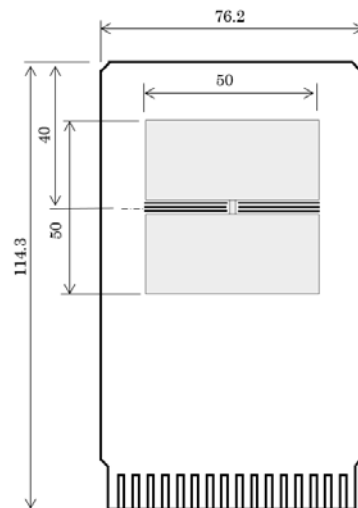
Item	Measurement Result
Power Dissipation	2400 mW
Thermal Resistance ( $\theta_{ja}$ )	$\theta_{ja} = 41^\circ\text{C/W}$
Thermal Characterization Parameter ( $\psi_{jt}$ )	$\psi_{jt} = 11^\circ\text{C/W}$

$\theta_{ja}$ : Junction-to-Ambient Thermal Resistance

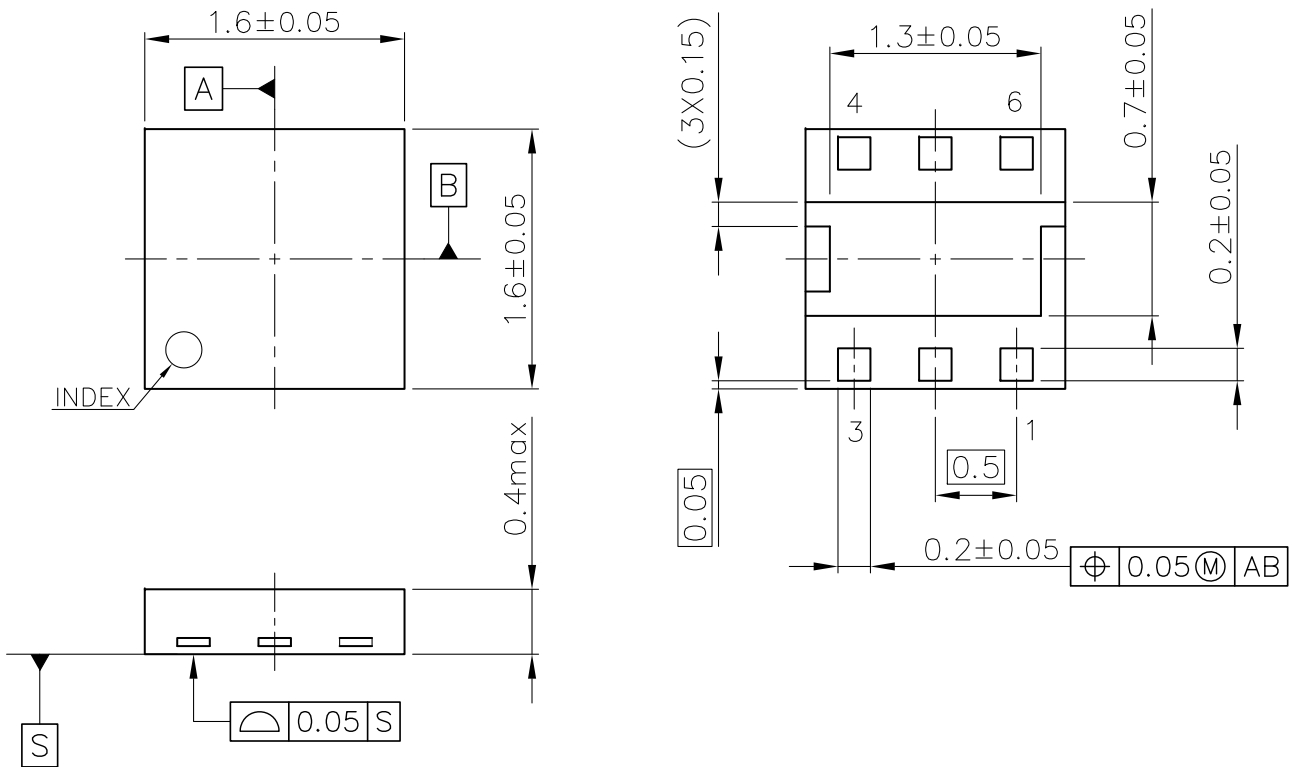
$\psi_{jt}$ : Junction-to-Top Thermal Characterization Parameter



**Power Dissipation vs. Ambient Temperature**



**Measurement Board Pattern**



**DFN1616-6 Package Dimensions (Unit: mm)**

\* The tab on the bottom of the package shown by blue circle is a substrate potential (GND/V<sub>DD</sub>). It is recommended that this tab be connected to the ground plane/V<sub>DD</sub> pin on the board but it is possible to leave the tab floating.

The power dissipation of the package is dependent on PCB material, layout, and environmental conditions. The following measurement conditions are based on JEDEC STD. 51-7.

**Measurement Conditions**

Item	Measurement Conditions
Environment	Mounting on Board (Wind Velocity = 0 m/s)
Board Material	Glass Cloth Epoxy Plastic (Four-Layer Board)
Board Dimensions	76.2 mm × 114.3 mm × 0.8 mm
Copper Ratio	Outer Layer (First Layer): Less than 95% of 50 mm Square Inner Layers (Second and Third Layers): Approx. 100% of 50 mm Square Outer Layer (Fourth Layer): Approx. 100% of 50 mm Square
Through-holes	φ 0.3 mm × 7 pcs

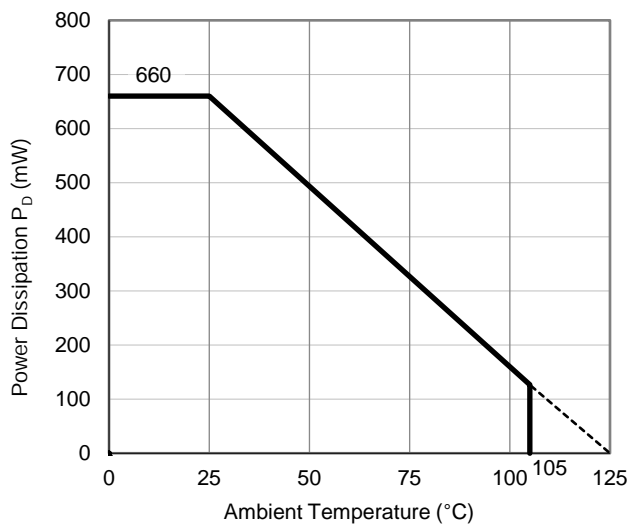
**Measurement Result**

(Ta = 25°C, Tjmax = 125°C)

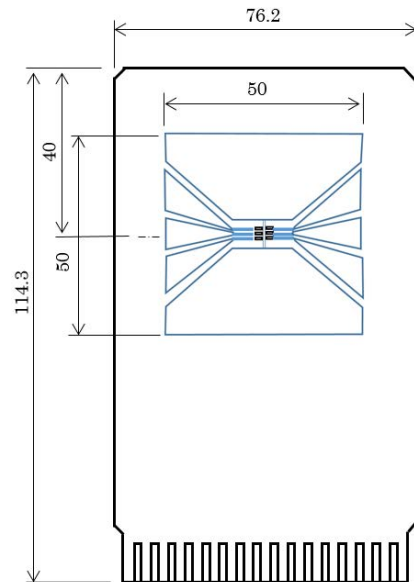
Item	Measurement Result
Power Dissipation	660 mW
Thermal Resistance (θja)	θja = 150°C/W
Thermal Characterization Parameter (ψjt)	ψjt = 51°C/W

θja: Junction-to-Ambient Thermal Resistance

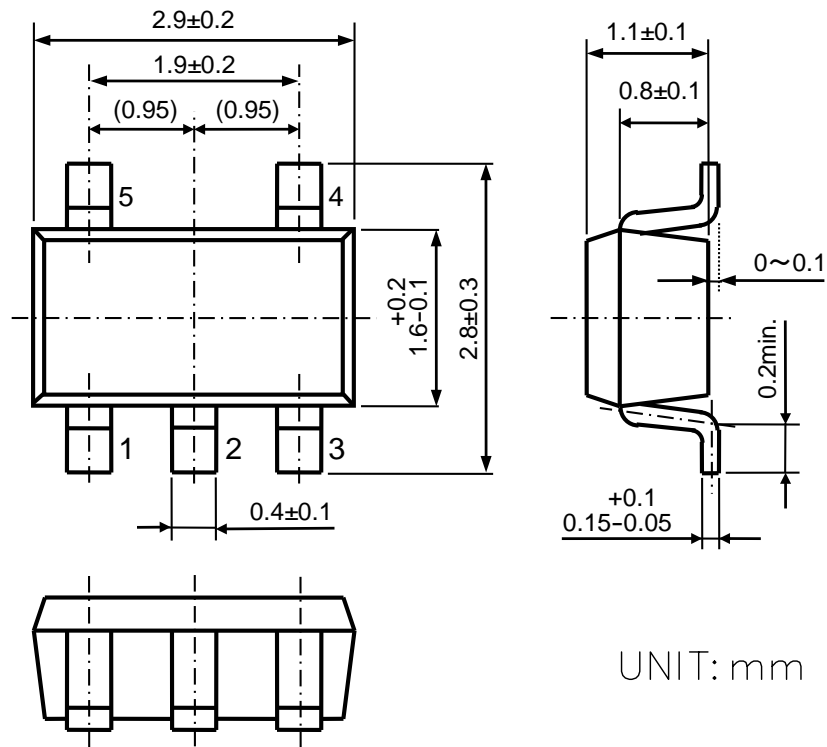
ψjt: Junction-to-Top Thermal Characterization Parameter



**Power Dissipation vs. Ambient Temperature**



**Measurement Board Pattern**



SOT-23-5 Package Dimensions

The power dissipation of the package is dependent on PCB material, layout, and environmental conditions. The following measurement conditions are based on JEDEC STD. 51-7.

**Measurement Conditions**

Item	Measurement Conditions
Environment	Mounting on Board (Wind Velocity = 0 m/s)
Board Material	Glass Cloth Epoxy Plastic (Four-Layer Board)
Board Dimensions	76.2 mm × 114.3 mm × 0.8 mm
Copper Ratio	Outer Layer (First Layer): Less than 95% of 50 mm Square Inner Layers (Second and Third Layers): Approx. 100% of 50 mm Square Outer Layer (Fourth Layer): Approx. 100% of 50 mm Square
Through-holes	φ 0.3 mm × 13 pcs

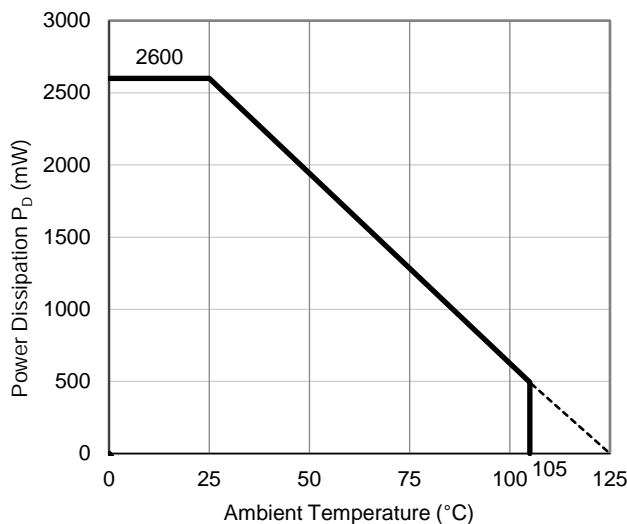
**Measurement Result**

(Ta = 25°C, Tjmax = 125°C)

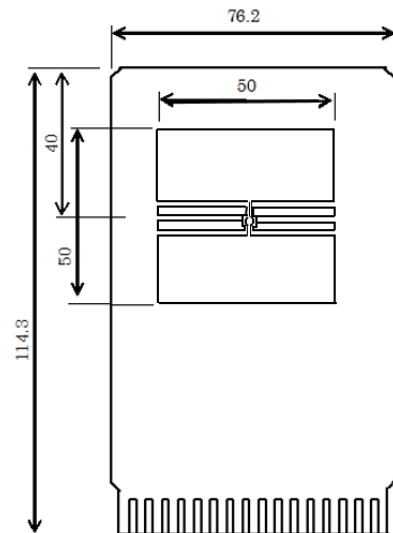
Item	Measurement Result
Power Dissipation	2600 mW
Thermal Resistance (θja)	θja = 38°C/W
Thermal Characterization Parameter (ψjt)	ψjt = 13°C/W

θja: Junction-to-Ambient Thermal Resistance

ψjt: Junction-to-Top Thermal Characterization Parameter

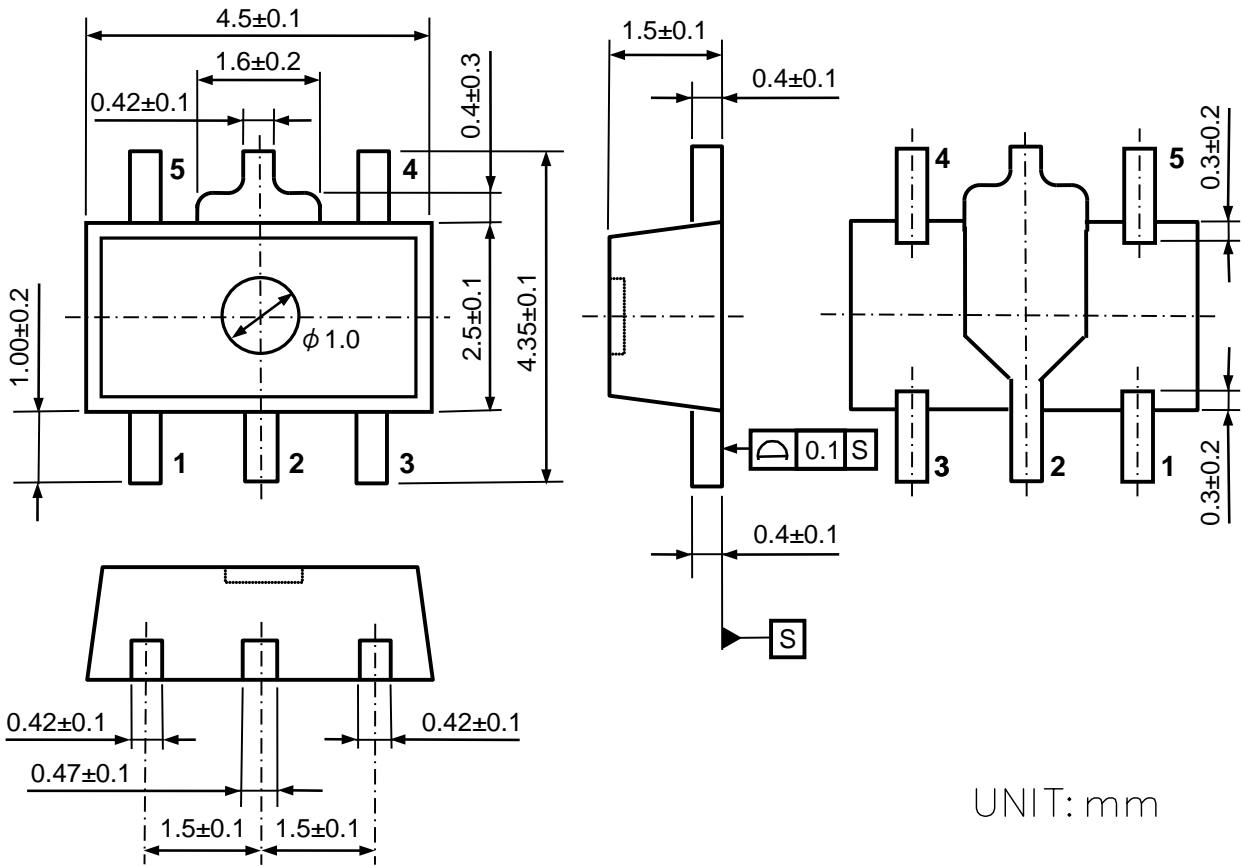


**Power Dissipation vs. Ambient Temperature**



**Measurement Board Pattern**





UNIT: mm

SOT-89-5 Package Dimensions



1. The products and the product specifications described in this document are subject to change or discontinuation of production without notice for reasons such as improvement. Therefore, before deciding to use the products, please refer to our sales representatives for the latest information thereon.
2. The materials in this document may not be copied or otherwise reproduced in whole or in part without prior written consent of our company.
3. Please be sure to take any necessary formalities under relevant laws or regulations before exporting or otherwise taking out of your country the products or the technical information described herein.
4. The technical information described in this document shows typical characteristics of and example application circuits for the products. The release of such information is not to be construed as a warranty of or a grant of license under our company's or any third party's intellectual property rights or any other rights.
5. The products listed in this document are intended and designed for use as general electronic components in standard applications (office equipment, telecommunication equipment, measuring instruments, consumer electronic products, amusement equipment etc.). Those customers intending to use a product in an application requiring extreme quality and reliability, for example, in a highly specific application where the failure or misoperation of the product could result in human injury or death (aircraft, spacevehicle, nuclear reactor control system, traffic control system, automotive and transportation equipment, combustion equipment, safety devices, life support system etc.) should first contact us.
6. We are making our continuous effort to improve the quality and reliability of our products, but semiconductor products are likely to fail with certain probability. In order to prevent any injury to persons or damages to property resulting from such failure, customers should be careful enough to incorporate safety measures in their design, such as redundancy feature, fire containment feature and fail-safe feature. We do not assume any liability or responsibility for any loss or damage arising from misuse or inappropriate use of the products.
7. Anti-radiation design is not implemented in the products described in this document.
8. The X-ray exposure can influence functions and characteristics of the products. Confirm the product functions and characteristics in the evaluation stage.
9. WLCSP products should be used in light shielded environments. The light exposure can influence functions and characteristics of the products under operation or storage.
10. There can be variation in the marking when different AOI (Automated Optical Inspection) equipment is used. In the case of recognizing the marking characteristic with AOI, please contact our sales or our distributor before attempting to use AOI.
11. Please contact our sales representatives should you have any questions or comments concerning the products or the technical information.



**Nisshinbo Micro Devices Inc.**

**Official website**

<https://www.nisshinbo-microdevices.co.jp/en/>

**Purchase information**

<https://www.nisshinbo-microdevices.co.jp/en/buy/>

